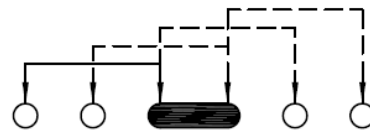
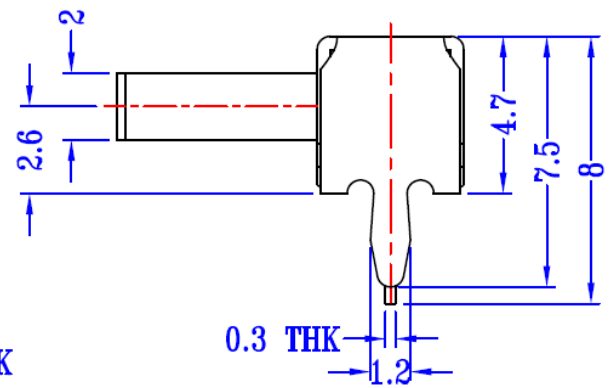
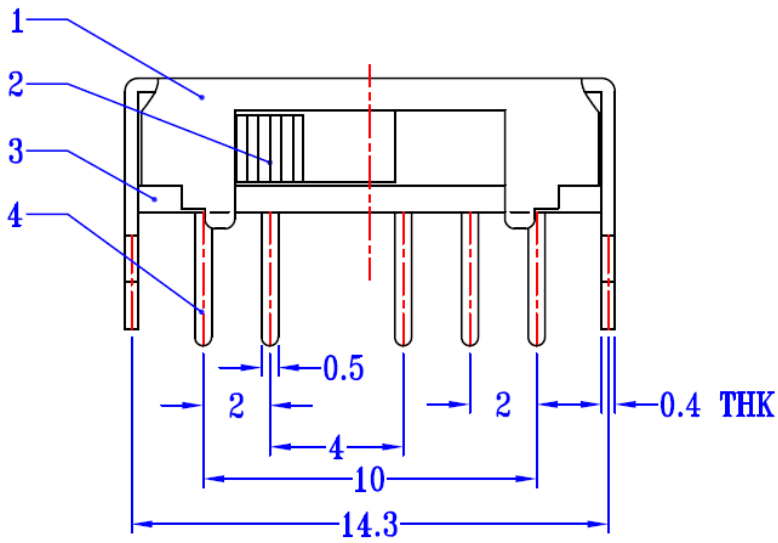


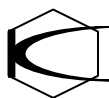
**P.C.B LAYOUT
BOTTOM VIEW**



SCHEMATIC (SHORTING)

H=6mm

6	SPRING PLATE	PBS STRIP	1	NATURAL
5	CONTACT CLIP	PBS STRIP	1	Ag PLATED
4	TERMINAL	BRASS STRIP	5	Ag PLATED
3	BASE	PHENOLIC RESIN	1	NATURAL
2	KNOB	NYLON+F.G	1	BLACK
1	FRAME	STEEL STRIP	1	Ni PLATED
NO	Parts	Material	Q'TY	Finishing



銓基電子股份有限公司
ROKI ELECTRONICS CO., LTD.

PART NAME : SLIDE SWITCH		SCALE :
PART NO : ST14002-S6-PF Series		UNIT : mm
TOLERANCE : WITHIN 1.5±0.1 mm / OVER 1.5±0.2 mm		VER : R01